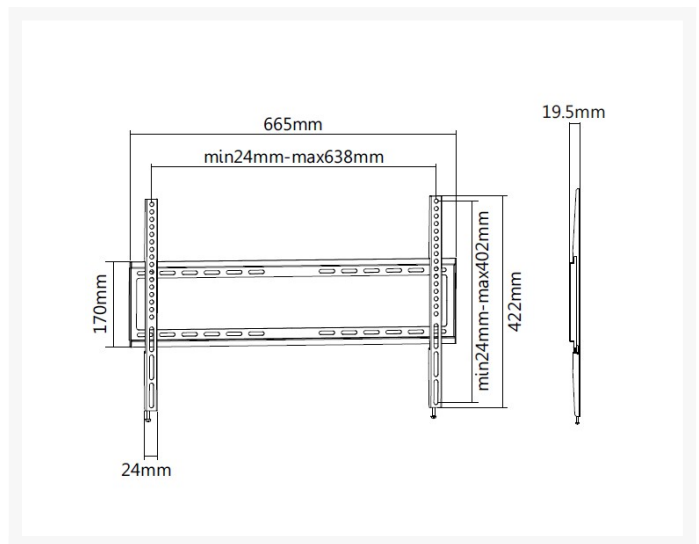




650333 37"-70" Fixed TV Wall Bracket

Product Images



Short Description

1. Max. Load Capacity: 35Kg
2. Max. VESA: 600x400
3. Ultra-slim design
4. Slide-in wall plate provides easy access for attachment and detachment
5. VESA standards compliant

Description

The equip® TV Wall Mount Bracket is a compact but sturdy product that ensures a reliable installation of your LCD/TV. Follow the graphic guide included in the package, you can install your TV on your own with ease. The wall bracket fits most of the wall materials- brick, concrete and wood, making the ideal choice for you to set up your screens.

Additional Information

| | |
|----------------------------|-------------------------------------------------|
| Approval and compliance | ROHS |
| Compatible display size | 37"-70" |
| Anti-Theft | No |
| Quick Release VESA Plate | No |
| Support Curved TV | No |
| Material | Stainless Steel |
| Load capacity (kg) | 35kg |
| Mount | Wall mount |
| No. of supported display | 1 |
| VESA compatibility | 200x200,300x200,300x300,400x200,400x400,600x400 |
| Bracket type | Tiltable |
| Distance to Wall (Profile) | 19.5mm |
| Product Size | 19.5x665x422mm |
| Mounting Hole Pattern | Standard VESA |
| Installation | Solid Wall,Double Stud(406mm/450mm/600mm) |
| Cable Management | No |
| Product weight (kg) | 1.1 |
| Product breadth (mm) | 422 |
| Product depth (mm) | 19.2 |
| Product height (mm) | 665 |
| Color | Black |
| EAN | 4015867225424 |
| Model number | 650333 |
| Package contents | 650333 |
| TV size | 37"-70" |

