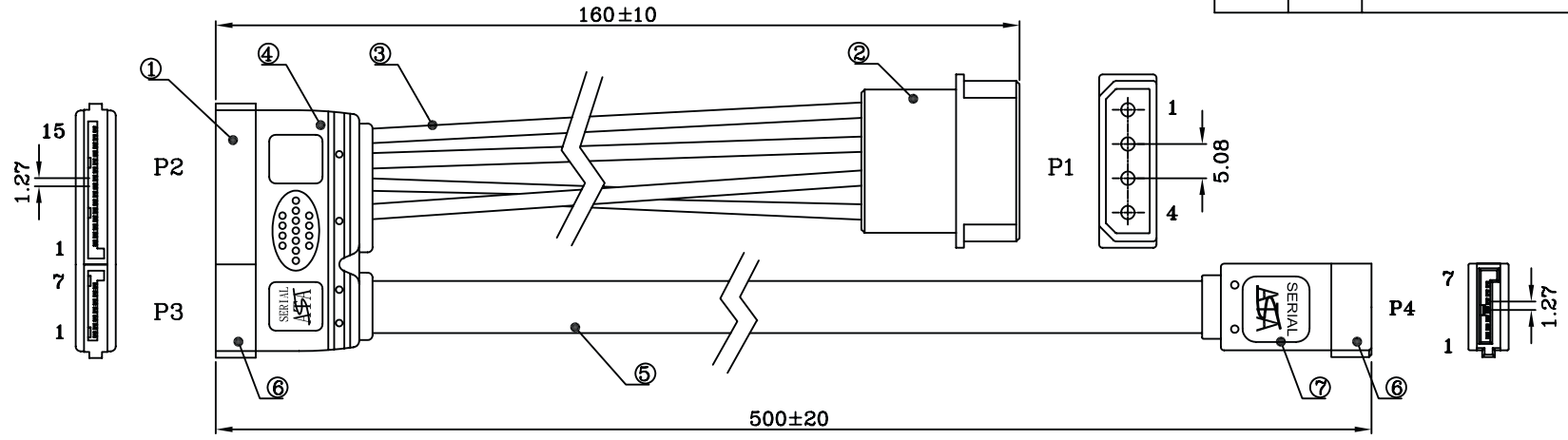
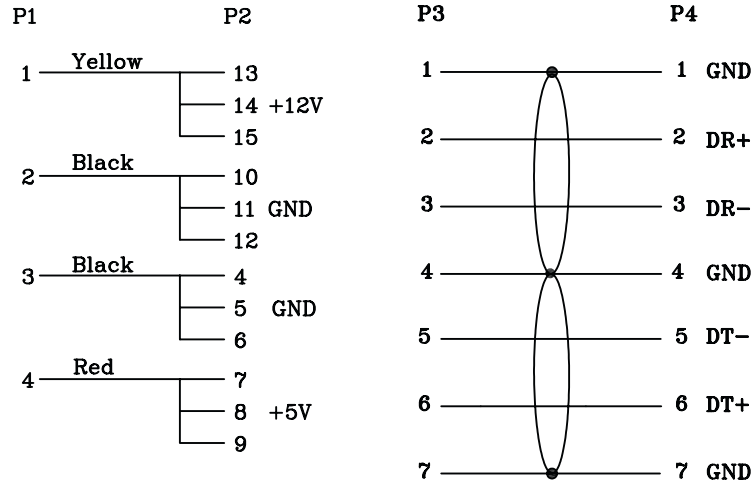


LTR	REV.	DESCRIPTION	DATE



WIRE CONNECTION:



- 100% OPEN / SHORT / INSULATION TEST
- INSULATION TEST: 3MΩ
- PACKING: EACH PC / E'QUIP ZIP BAG + BARCODE LABEL(4015867127940).

COMPONENTS	DESCRIPTION	Q'TY
1 SATA15F	Insulator :SPS UL94V-0 ,Black , Contact :Phosphor Bronze	1
2 Power Plug	4P Male	1
3 Wire	UL1007 18AWG (Color: BLACK X2 ,YELLOW X1 , RED X1)	4
4 HOOD	PVC 45P Molded Color: Black(NK-K01)	1
5 CABLE (LIAN FENG)	S-ATA CABLE, UL2725[26AWG(1/0.404)*2F+AL/MY+DW(1/0.32)*2]TIN Red (PANTONE 200C)COLOR,PVC JACKET:2.2*7.8mm, Insulator:FOAM-PE	1
6 SATA07F	Insulator:SPS UL94V-0,Black,Contact:Phosphor Bronze GOLD PLATED 15u"	2
7 HOOD	PVC 45P Molded Color: Black(NK-K01)	1

Tolerance	Inch	M/M
.X	.015	.30
.XX	.010	.10
.XXX	.005	.05
Draw		
Check		
Engr		



Internal Serial ATA
Signal/Power Cable

www.equip-info.net

Sheet 1/1